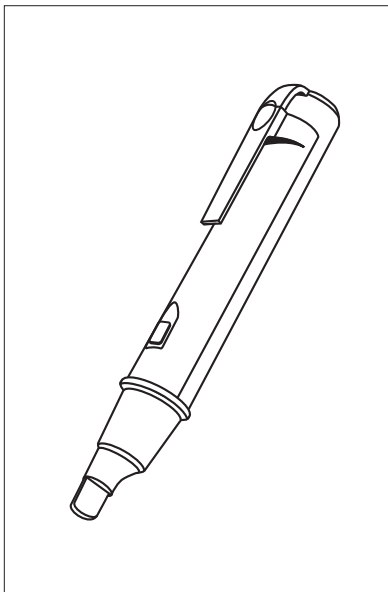


## Instruction Manual Voltage Detector - **PL107N**



## Instruction manual

Symbols on the instrument and in the instruction manual:



**Warning!** Warns of potential danger, comply with the instruction manuals.



**Caution!** Dangerous voltage. danger of electrical shock.



Continuous double or reinforced insulation complies to IEC 536, Class II



Symbol of conformity, confirms conformity with relevant EU directives. The instrument complies with the EMC Directive (89/336/EEC) specifically standards EN 50081-1 and EN 50082-1, as well as the Low Voltage Directive (73/23/EEC) described in the standard EN 61010-1.

### Instruction:

The contact-free voltage tester **PL107N** has been developed for voltage testing on insulated cables and conductors. For testing, no electrical connection to UUT is required. A second connection, e.g. to neutral or ground is not necessary.

The voltage tester **PL107N** does not require maintenance. It is equipped with protective insulation. Power is supplied by means of two 1.5V AAA batteries 1.5V IEC LR03.



## 12 months guarantee

The instruments are subject to stringent quality controls. If, in the course of normal daily use, a fault should occur, we provide 12 months guarantee (only valid with invoice). Faults in manufacture and materials will be rectified by us free of charge, provided the instrument has not been tampered with, and is returned to us unopened. Damage due to dropping, abuse or misuse is not covered by the guarantee.

Our Service Department will promptly repair any faults that occur outside the guarantee period.

Please contact:

# Di-LOG

...measurably better

### **Di-Log Test Equipment**

**Unit 28, Wheel Forge Way, Trafford Park,  
Manchester M17 IEH**

**Freephone: 0800 018 9112**

**Freefax: 0800 018 6711**

**Sales@dilog.co.uk**

**www.dilog.co.uk**

This Instruction Manual has been prepared with great care. No liability is accepted for the correctness and completeness of the data, illustrations, and drawings it contains.

We reserve the right to make technical alterations.

## Features:

- Contact-free voltage test 90V...1000V AC
- Display via LED (flashing) acoustic sound signal
- Contact-free testing of AC voltages on insulated cables and conductors
- Locating line interruptions in insulated cables and conductors
- Phase tester of sockets
- Conventional 1.5V batteries AAA

## Safety measures:

The instrument has left our factory in a safe and perfect condition. To maintain this condition, the user must pay attention to the safety references contained in this instruction manual.



**Warning!** This instruction manual contains both information and warnings that are necessary for the safe operation and maintenance of the instrument. It is recommended that you read the manual carefully and ensure that its contents are fully understood. Failure to understand these instructions and to comply with the warnings and instructions contained herein can result in serious injury or damage.



**Warning!** Only touch the instrument handle for any voltage test.



**Warning!** The instrument may only be used within the operating ranges as specified in the technical data section.



**Warning!** The test instrument may only be used in properly grounded electrical installations.



**Warning!**

Prior to usage, inspect voltage tester for external damage. Prior to any operation, ensure that voltage tester is in perfect condition.



**Warning!**

Prior to opening, the instrument has been switched off and disconnected from any current circuit.



**Warning!**

The instrument must only be used under the conditions and for the purposes for which it has been constructed. Particular attention should be paid to the safety instructions, the technical specifications relating to environmental conditions and the use of the instrument in dry surroundings.

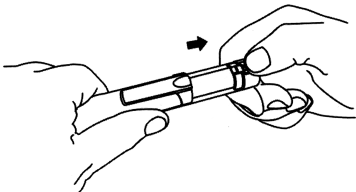
## Technical data

Voltage range:	90...1000V AC
Frequency range:	50Hz...500Hz
Display:	Clear, omnidirectional flashing beacon
IP-Protection:	IP40
Overvoltage category:	CAT III, 600V
Pollution degree:	2
Altitude:	up to 3000m
Temperature range:	-10°C up to 50°C
Humidity:	<80%
Power supply:	2 x 1,5V batt. AAA
Dimension:	150 x 25 x 20mm
Weight:	Approx. 50g

## Battery replacement

Batteries: 2 x 1.5V AAA.

Slide the two parts of the case apart by holding the unit firmly and pressing the pocket clip forward



**Warning!** If the instrument is likely to remain unused for a long period of time the batteries must be removed. If a battery should leak inside the housing, return the instrument to our service department for cleaning and checking.

Please think of the environment when used batteries. They should be disposed of in a place suitable for hazardous waste.

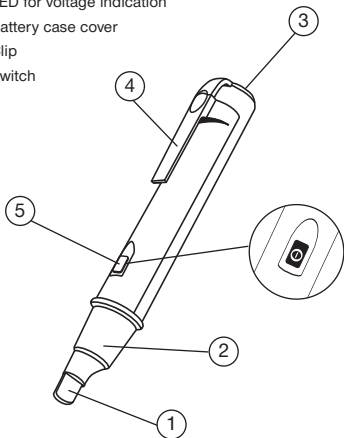


**Warning!** Please, comply with the appropriate regulations concerning the return, recycling and disposal of used batteries and accumulators.



## Display and control elements:

1. Test probe
2. LED for voltage indication
3. Battery case cover
4. Clip
5. Switch



**Danger!** In order to avoid the danger of electrical shock, it is important that proper safety measures are respected when working with voltages exceeding 120V (60V) DC or 50V (25V) r.m.s. AC. These voltages represent internationally the limits of max. contact voltage.



**Warning!** The voltage tester is appropriate for AC voltages between 90V and 1000V AC. A perfect instrument function is only ensured within a temperature range of -10 up to 50°C >45% humidity.



Warning! The signal during the voltage test does not provide any indication of the type and level of voltage present. In case of doubt, measure the voltage by using a test instrument with display indication.

The voltage tester is delivered with installed batteries. The voltage tester indicates voltages from 50V to 600V AC.

## **Operation**

Always test the unit on a known source to check the unit for correct operation.

Press the test switch the LED will light continuously.

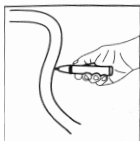
Hold the test switch down at the same time touch the circuit under test with the test probe tip.

When voltage is detected the LED will flash and the buzzer sound.

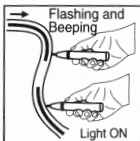
## **Low Battery Indication**

When the battery voltage drops below 2V, the LED will not light when the test switch is pressed

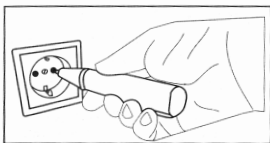
## Application examples:



Voltage test at insulated conductors



Locating line interruptions  
i.e. cable drums, etc.



Phase finding on socket outlets

### Maintenance

As long as the instructions in the operating manual are adhered to, no special maintenance is required.

### Cleaning

Disconnect the instrument from all circuits. Using a damp cloth wipe the instrument surface by applying light pressure. Allow a recovery time of 6 hours after cleaning before operating the instrument.